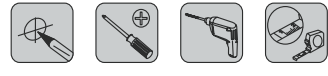
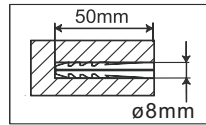
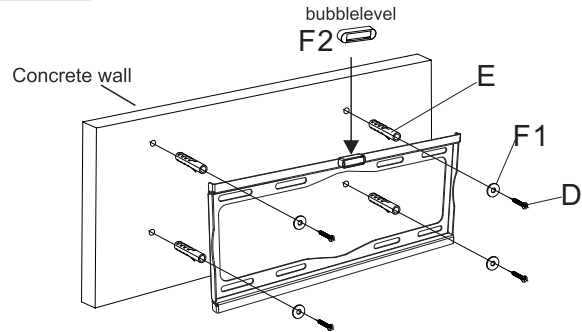


- M4X20MM A(4PCS)
- M6X20MM B(4PCS)
- M8X25MM C(4PCS)
- M6 D(4PCS)

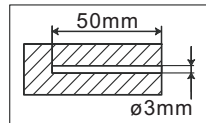
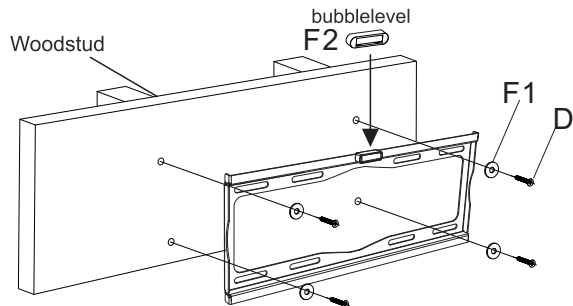
- M6 E(4PCS)
- M6 F1(8PCS)
- bubble level F2(1PCS)
- G(4PCS)



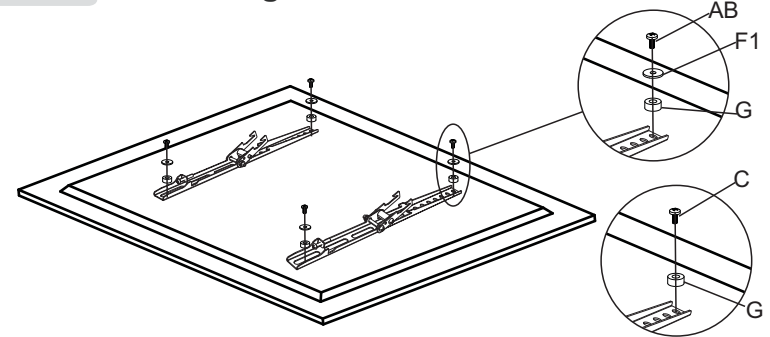
STEP1A Solid concrete mounting



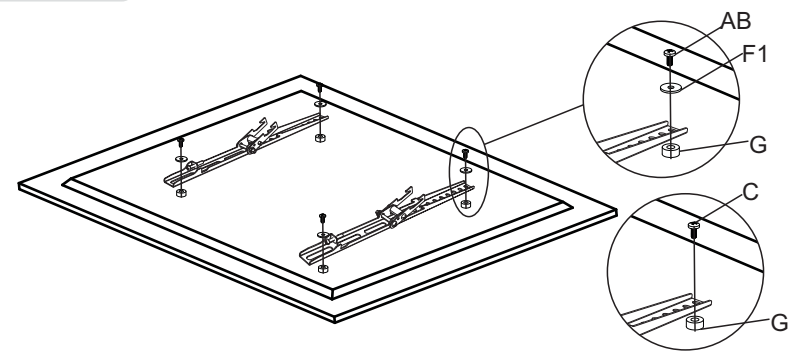
STEP1B WoodStud mounting



STEP2A Attaching brackets to screen



STEP2B For TVs with a curved back or obstruction



STEP3 Hang the TV onto the wall plate

